



# SWITCH /PS4 /PS3/XBOX ONE Keyboard Mouse Converter Specifications

## Product Features:

1. Suitable for console: SWITCH / PS4 / PS3 / XBOX ONE / XBOX 360 and other series of consoles.
2. Convert the keyboard and mouse signals into controllers signals to perform game operations on the above consoles.
3. Provide players with better game control methods and increase the fun of the game.
4. Support custom buttons, meet the player's usage habits.
5. More precise control, suitable for precise shooting and blocking games.
6. Support mouse sensitivity selection, mouse can switch Y axis direction.
7. Patented product, unique shape, cool aircraft carrier shape. Patent No.: 201930228759.9
8. Support all standard mainstream mouse and keyboard.
9. Plug and play, no need to drive.
10. Small and portable, the size is 114\*95\*20mm and the weight is 100g. It is very convenient for daily use and travel. Grip pits non-slip soft rubber design
11. White, blue, red, green and yellow function indicator light, yellow and blue purple powder color circulation breathing work indicator, personalized and novel.
12. No power supply, use the host USB port to supply power. When the power consumption of the external device is too large, the power can be externally connected through the reserved 5V input port.

## Product Parameters:

### 1. Colour:

Black: HS-SW315

### 2. Controller parameters:

Product size: 114\*95\*20mm

Product weight: 0.115kg (with line)

Material: ABS

Product color: black

Note: This product does not contain power

### 3. Electrical parameters:

Compatible operating platform:	SWITCH /PS4 /PS3/XBOX ONE/XBOX 360
Keyboard and mouse input interface:	USB *2
Console connection interface:	TYPE C
Power interface:	TYPE C
Input voltage:	5V
Controller guide interface:	USB
USB PD specification	2.0
Console cable:	0.5m



#### 4. Packaging Parameters:

Single package weight: 0.150kg

Color box size: 145\*110\*25mm

Packing quantity: sets / box

Packing size:

Gross weight:

#### 5. Information: Package file, Picture, detail page, Function manual, patent certificate

#### 6. Operating Guidelines

Switch, PS4, XBox One, PS3, XBox 360 console: Start the console, use the built-in USB/TYPE C cable (USB plug into the console, TYPE C plugged into the converter) to connect, the controller interface is plugged into the original wired controller to guide, The keyboard and mouse can be used to play the game after plugging into the keyboard and mouse interface. (Note: On the PS4 host/SWITCH, you need to open the 'wired connection mode' in the console settings to use.)

#### Function switching (keyboard)

Setting mode: F12 +F11 Page area selection: F12 +F1-F8 Mouse sensitivity selection: F12 + 1-9 Mouse Y-axis direction switching: F12 + Y

Page area 1-2-1/2 Return to default: F12 +F10 +F1/F2/F9 (long press for 3 seconds) See the manual for detailed settings.

Default key of each console

Mouse Button	Replace Button			
	Nintendo Switch	Xbox one/XBOX360	PS4	PS3
Right Button	ZL	LT	L2	L2
Left Button	ZR	RT	R2	R2
Middle Button	R3	R3	R3	R3
Mouse Move UP	Right Joystick UP	Right Joystick UP	Right Joystick UP	Right Joystick UP
Mouse Move LEFT	Right Joystick LEFT	Right Joystick LEFT	Right Joystick LEFT	Right Joystick LEFT
Mouse Move DOWN	Right Joystick DOWN	Right Joystick DOWN	Right Joystick DOWN	Right Joystick DOWN
Mouse Move RIGHT	Right Joystick RIGHT	Right Joystick RIGHT	Right Joystick RIGHT	Right Joystick RIGHT

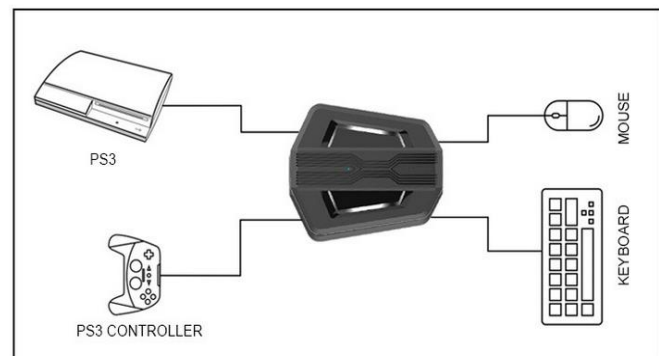
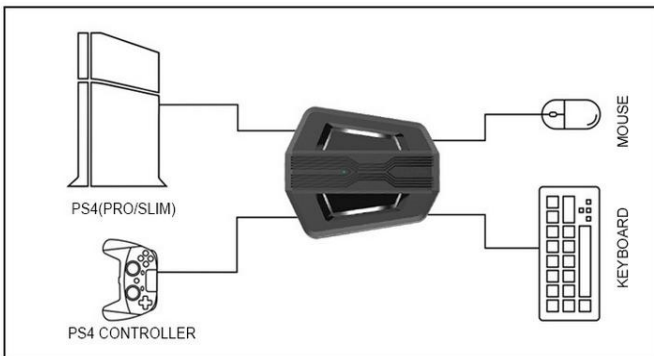
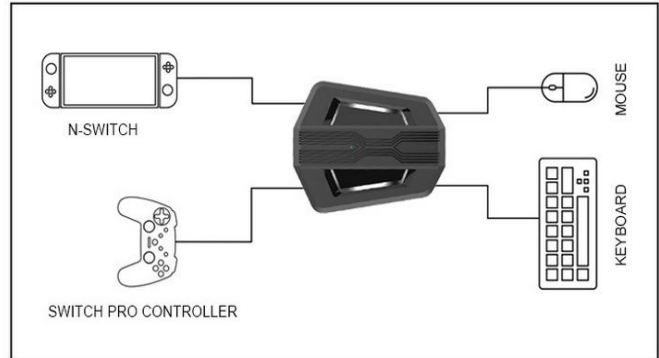
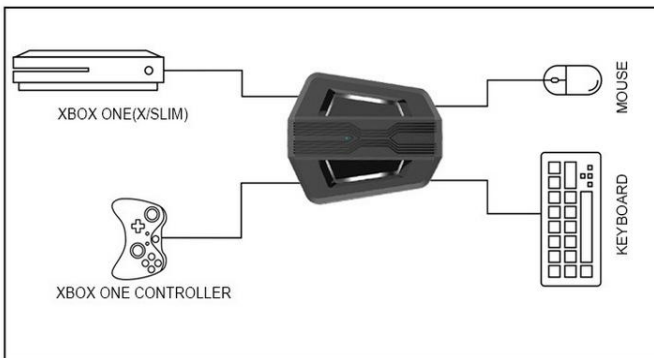
#### Keyboard Key Mapping

Keyboard Button	Replace Button			
	Nintendo Switch	Xbox One/XBOX360	PS4	PS3
Button Q	L	LB	L1	L1
Button E	R	RB	R1	R1
Button F1	Dpad UP	Dpad UP	Dpad UP	Dpad UP
Button 1	Dpad LEFT	Dpad LEFT	Dpad LEFT	Dpad LEFT
Button 2	Dpad DOWN	Dpad DOWN	Dpad DOWN	Dpad DOWN
Button 3	Dpad RIGHT	Dpad RIGHT	Dpad RIGHT	Dpad RIGHT
Button R	Y	Y	△	△
Button F	X	X	□	□



Button C	B	B	○	○
Button SPACE	A	A	X	X
Button W (UP)	Left Joystick UP	Left Joystick UP	Left Joystick UP	Left Joystick UP
Button A (LEFT)	Left Joystick LEFT	Left Joystick LEFT	Left Joystick LEFT	Left Joystick LEFT
Button S(DOWN)	Left Joystick DOWN	Left Joystick DOWN	Left Joystick DOWN	Left Joystick DOWN
Button D(RIGHT)	Left Joystick RIGHT	Left Joystick RIGHT	Left Joystick RIGHT	Left Joystick RIGHT
Button SHIFT(left side)	L3	L3	L3	L3
Button Tab	—	View/BACK	Option	SELECT
Button ESC	Home	Not Supported/HOME	PS	PS
Button ~	Capture	/	Share	
Button CapsLock	+	Menu/START	/	START

**Connection diagram of each console:**





HonSon Group Electronic Co.,LTD

Switch/Xbox One/ PS4/  
PS3 Keyboard Mouse Adapter HS-SW315

Page4of 4

## 7. Product Pictures:

